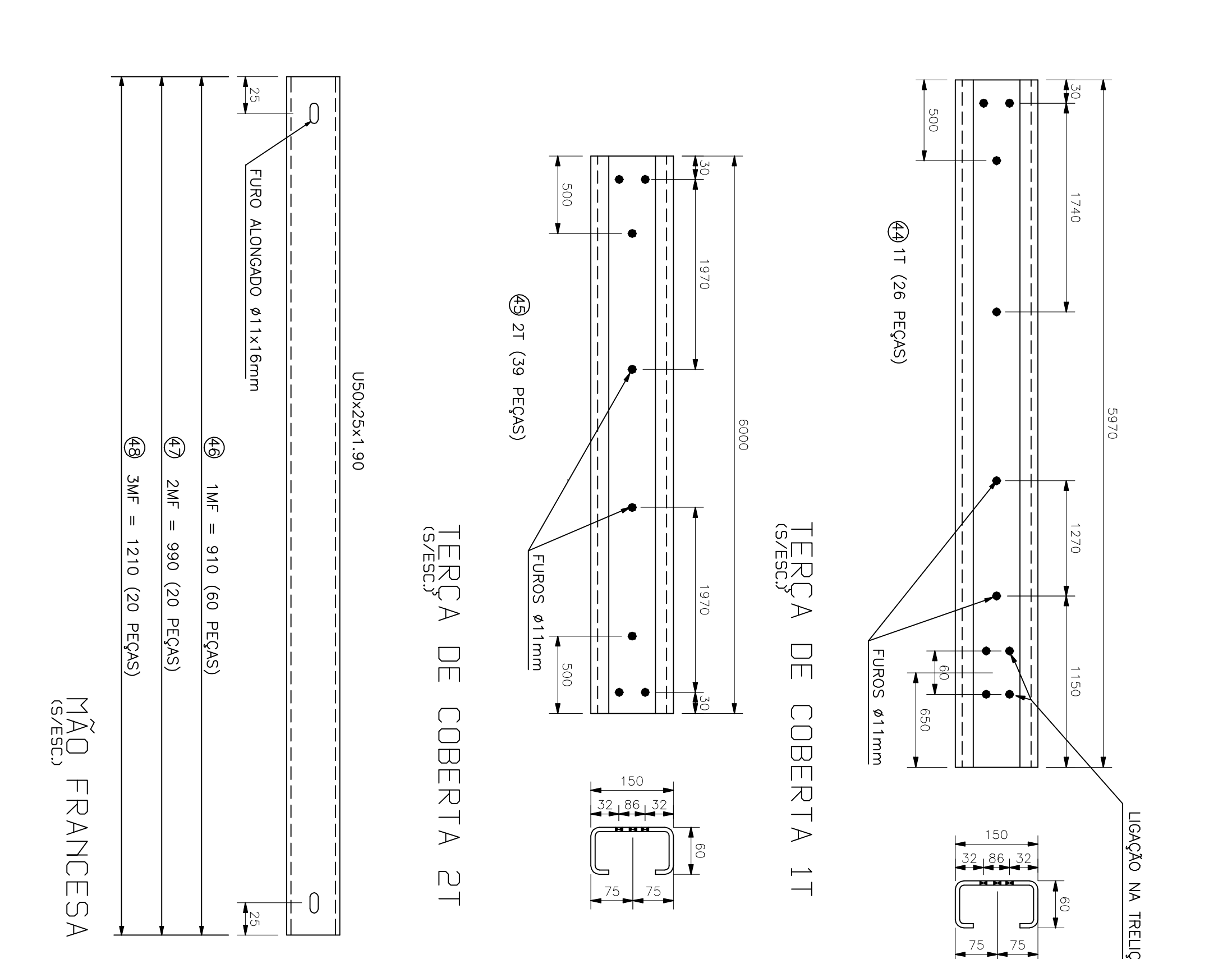
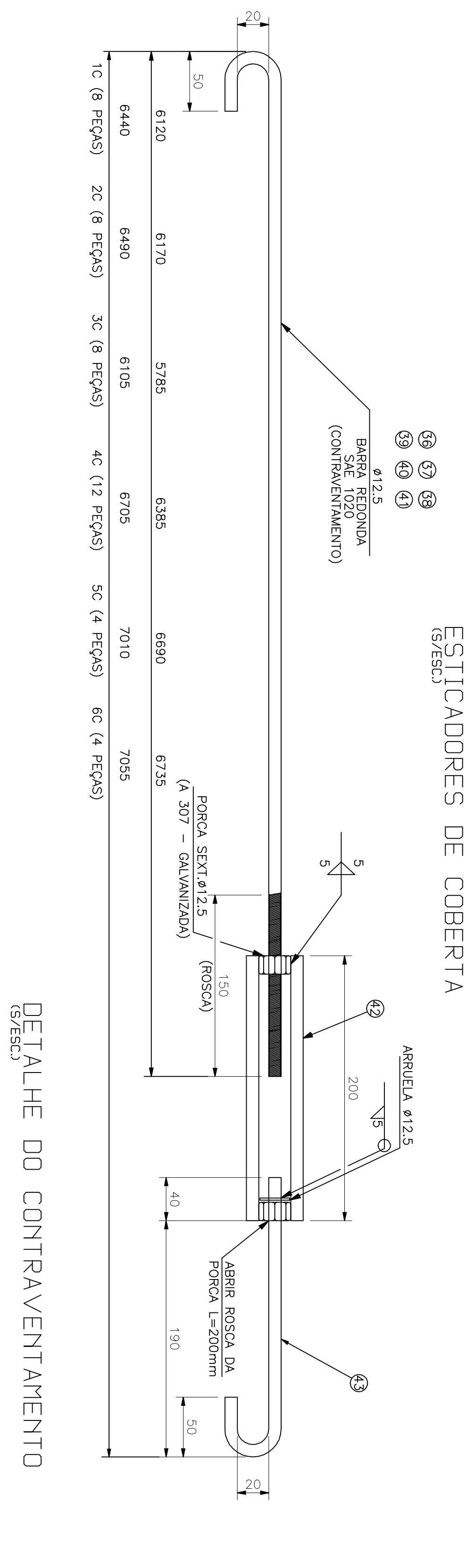
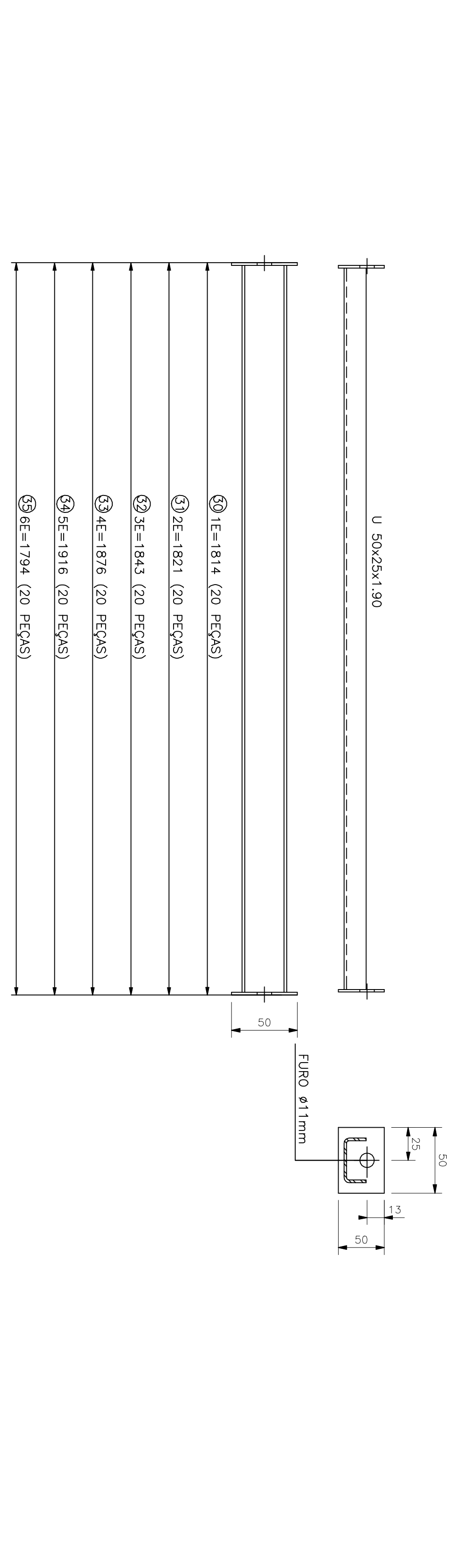


COD	DESCRIMNAÇÃO	MATERIAL	COMP. (mm)	QUANT.	DESCRIÇÃO	DESBAS INTERNAS	PESO CALCULADO (Kg)
01	CH.4.60x220x10888	ASTM A588	10888	12	BANZO INF.	U100+60	839
02	CH.4.60x220x11210	ASTM A588	11210	12	BANZO SUP.	U100+60	864
03	CH.2.65x(60+60)x600	ASTM A588	600	48	MONTEANTE	2x1,30+30 esp.=32	36
04	CH.2.65x(60+60)x700	ASTM A588	700	12	MONTEANTE	2x1,30+30 esp.=32	11
05	CH.2.65x(60+60)x950	ASTM A588	950	12	MONTEANTE	2x1,30+30 esp.=32	14
06	CH.3.00x(60+80)x1007	ASTM A588	1007	12	DIAGONAL	2x1,40+40 esp.=12	23
07	CH.3.00x(60+80)x1013	ASTM A588	1013	12	DIAGONAL	2x1,40+40 esp.=12	23
08	CH.3.00x(60+80)x997	ASTM A588	997	12	DIAGONAL	2x1,40+40 esp.=12	23
09	CH.3.00x(60+80)x1027	ASTM A588	1027	12	DIAGONAL	2x1,40+40 esp.=12	23
10	CH.3.00x(60+80)x988	ASTM A588	988	12	DIAGONAL	2x1,40+40 esp.=12	22
11	CH.3.00x(60+80)x1058	ASTM A588	1058	12	DIAGONAL	2x1,40+40 esp.=12	24
12	CH.3.00x(60+80)x1093	ASTM A588	1093	12	DIAGONAL	2x1,40+40 esp.=12	25
13	CH.3.00x(60+80)x1138	ASTM A588	1138	12	DIAGONAL	2x1,40+40 esp.=12	26
14	CH.3.00x(60+80)x1182	ASTM A588	1182	12	DIAGONAL	2x1,40+40 esp.=12	27
15	CH.3.00x(60+80)x1295	ASTM A588	1295	12	DIAGONAL	2x1,40+40 esp.=12	29
16	CH.3.00x(60+80)x1335	ASTM A588	1335	12	DIAGONAL	2x1,40+40 esp.=12	30
17	CH.3.00x(60+80)x1022	ASTM A588	1022	12	DIAGONAL	2x1,40+40 esp.=12	23
18	CH.3.00x(60+80)x900	ASTM A588	900	12	BANZO INF.	2x1,40+40 esp.=26	45
19	CH.3.00x(60+80)x900	ASTM A588	900	12	MONTEANTE	2x1,40+40 esp.=20	29
20	CH.3.00x(60+80)x1946	ASTM A588	1946	120	UC. FRANÇ.	U150+50	5
21	CH.2.00x150x20x120	ASTM A588	120	78	UC. TERÇA	U150+50	5
22	CH.2.00x150x20x120	ASTM A588	120	56	UC. CONTRAVENT.	40x3,40+25+40	18
23	CH.2.00x150x20x120	ASTM A588	200	12	UC. ARCO	REFRANGULAR	30
24	CH.2.00x150x20x120	ASTM A588	200	12	UC. ARCO	REFRANGULAR	6
25	CH.2.00x150x20x120	ASTM A588	200	12	UC. ARCO	REFRANGULAR	6
26	CH.2.00x150x20x120	ASTM A588	200	12	UC. ARCO	REFRANGULAR	6
27	CH.2.00x150x20x120	ASTM A588	200	12	UC. ARCO	REFRANGULAR	6
28	CH.2.00x150x20x120	ASTM A588	200	12	UC. ARCO	REFRANGULAR	6
29	CH.2.00x150x20x120	ASTM A588	200	12	UC. ARCO	REFRANGULAR	6
30	CH.2.00x150x20x120	ASTM A588	200	12	UC. ARCO	REFRANGULAR	6
31	CH.1.90x100x1814	ASTM A588	1814	20	ESTICADOR 1E	U50+25	50
32	CH.1.90x100x1821	ASTM A588	1821	20	ESTICADOR 2E	U50+25	51
33	CH.1.90x100x1843	ASTM A588	1843	20	ESTICADOR 3E	U50+25	52
34	CH.1.90x100x1876	ASTM A588	1876	20	ESTICADOR 4E	U50+25	53
35	CH.1.90x100x1916	ASTM A588	1916	20	ESTICADOR 5E	U50+25	49
36	CH.1.90x100x1794	ASTM A588	1794	20	ESTICADOR 6E	U50+25	48
37	CH.1.90x100x1820	ASTM A588	1820	8	CONTRAV. 1C	61,20+20+50	48
38	CH.1.90x100x1820	ASTM A588	1820	8	CONTRAV. 2C	61,70+20+50	45
39	CH.1.90x100x1820	ASTM A588	1820	8	CONTRAV. 3C	57,85+20+50	45
40	CH.1.90x100x1820	ASTM A588	1820	4	CONTRAV. 4C	63,85+20+50	26
41	CH.1.90x100x1820	ASTM A588	1820	4	CONTRAV. 5C	66,90+20+50	26
42	CH.1.90x100x1820	ASTM A588	1820	4	CONTRAV. 6C	67,35+20+50	26
43	CH.1.90x100x1820	ASTM A588	1820	4	CONTRAV.	200	8
44	CH.1.90x100x1820	ASTM A588	1820	4	CONTRAV.	230+20+50	13
45	CH.1.90x100x1820	ASTM A588	1820	26	TERÇA 1T	Ue150+60+20	683
46	CH.1.90x100x1820	ASTM A588	1820	39	TERÇA 2T	Ue150+60+20	1030
47	CH.1.90x100x910	ASTM A588	910	60	MÃO FRANC.	U50+25	75
48	CH.1.90x100x990	ASTM A588	990	20	MÃO FRANC.	U50+25	27
49	CH.1.90x100x1210	ASTM A588	1210	20	MÃO FRANC.	U50+25	33
50	PARAF. 69,5 x 25,4	ASTM A-307	690	6	PARAF.	U50+25	33
51	ARRUELA P. 69,5	ASTM A-307	1332	6	ARRUELA	U50+25	33
52	PARAF. 612,5 x 31,75	ASTM A-307	48	4	PARAF.	U50+25	33
53	FORÇA SEXTAVADA 612,5	ASTM A-307	136	1	FORÇA	U50+25	33
54	ARRUELA P. 612,5	ASTM A-307	140	1	ARRUELA	U50+25	33
MÃO INCLUSO NA LISTA: PERDAS, ELTRODOS, PESOS DE PARAFUSOS, PORCAS E ARRUELAS MÃO INCLUIDOS.							4903



<p>DAE</p> <p>SECRETARIA DE INFRAESTRUTURA DEPARTAMENTO DE ARQUITETURA E ENGENHARIA QUADRA POLIESPORTIVA 20X30</p>	<p>GOVERNO DO ESTADO DO CEARÁ</p> <p>SECRETARIA DE INFRAESTRUTURA DEPARTAMENTO DE ARQUITETURA E ENGENHARIA QUADRA POLIESPORTIVA 20X30</p>
<p>PROJETO: 04.04</p> <p>ESTRUTURA</p>	<p>PROJETO: 04.04</p> <p>ESTRUTURA</p>
<p>ARQUITETO: []</p> <p>ENGENHEIRO: []</p> <p>PROF. RESPONSÁVEL: []</p> <p>CONSELHO: []</p> <p>ASSINATURA: []</p>	<p>ARQUITETO: []</p> <p>ENGENHEIRO: []</p> <p>PROF. RESPONSÁVEL: []</p> <p>CONSELHO: []</p> <p>ASSINATURA: []</p>
<p>PROF. RESPONSÁVEL: []</p> <p>CONSELHO: []</p>	<p>PROF. RESPONSÁVEL: []</p> <p>CONSELHO: []</p>